

# PH 2/1 Wall

The fixture is designed based on the principle of a reflective three-shade system, which directs the majority of the light downwards. The shades are made of mouth-blown opal three-layer glass, which is shiny on the top and sandblasted matt on the inside, giving a soft and diffuse light distribution.



**Yokohama  
College of  
Dental Care and  
Health Sciences**



**Private residence, Sipoo**

## Product info

### Mounting

Cable length: 2.9m. Light control: On wall plate.

### Finish

White opal glass. High lustre chrome plated.

### Materials

Shades: Mouth-blown white opal glass. Wall box: High lustre chrome plated, spun brass. Suspension: High lustre chrome plated, spun aluminium. Arm: High lustre chrome plated, brass.

### Sizes and weights

Width x Height x Length (mm) | 200 x 165 x 296 Max 2.0 kg

### Class

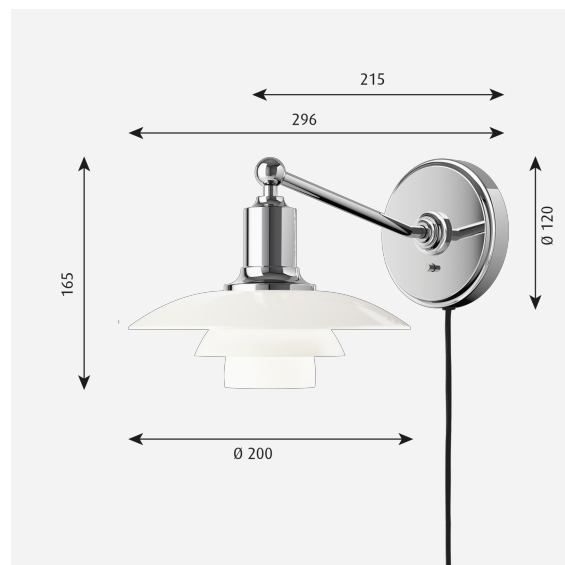
Ingress protection IP20. Electric shock protection II w/o ground.

### Specification notes

The innovation of light sources is ongoing. Consequently we only inform about the max. wattages. On [www.louispoulsen.com](http://www.louispoulsen.com) we update a list of recommendable light sources.

### Light source

1x20W E14



## Product family



PH 2/1 Stem Fitting



PH 2/1 Table



PH 2/1 Pendant

## Product variants

### Light source

1x20W E14

# Design

Poul Henningsen

# Weight

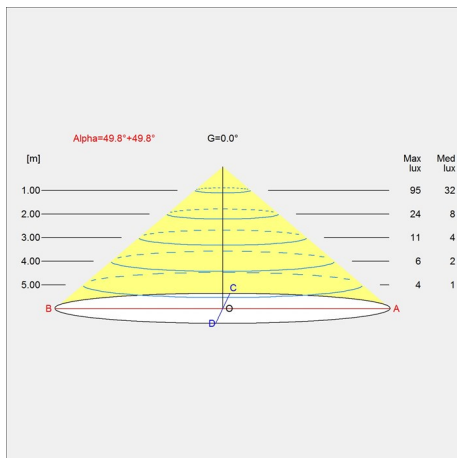
2.042

# Finish

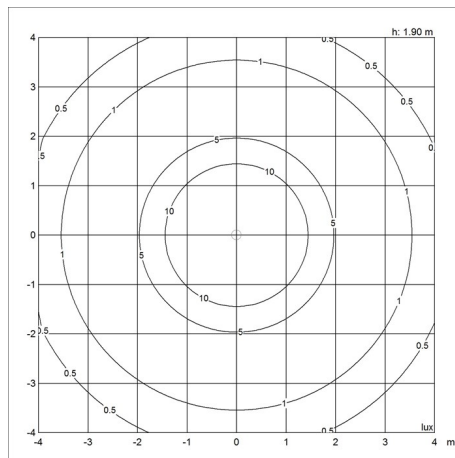
White opal glass

# Light distribution diagrams

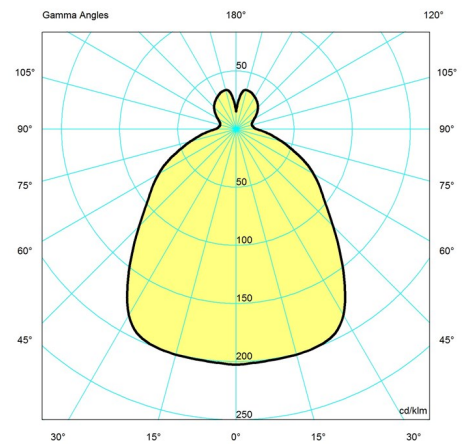
Cartesian



Isolux



Polar



# Spare parts & accessories

**Product**

- PH 2-1, middle shade glass
- PH 2-1, lower shade glass
- PH 2-1, top shade glass Table/Wall
- PH 2-1, springholder w/springs

**Variant number**

- 5741084940
- 5741084953
- 5741084937
- 5741086333

